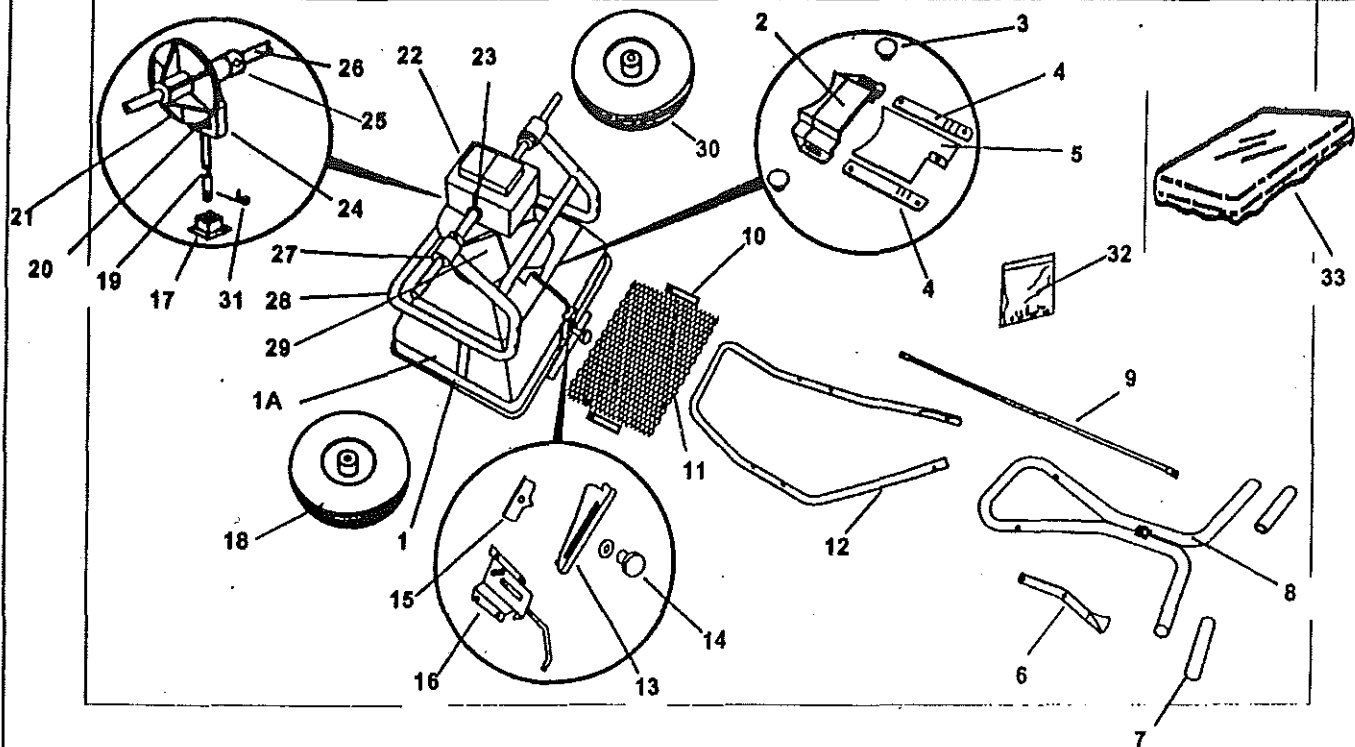


Parts List For Shindaiwa Model RS76 & RS76S



PART OF OUR SERVICE IS PROVIDING REPLACEMENT PARTS. Parts may be obtained through your local distributor. Be sure to give:

1. SPREADER MODEL NUMBER
2. SPREADER NAME
3. PART NUMBER
4. NAME OF PART AS SHOWN

shindaiwa

11975 SW Herman Rd

Tualatin, OR

503-692-3070 Fax 503-692-6696

www.shindaiwa.com

P / N 80983

No.	Description	RS76	RS 76S	No.	Description	RS76	RS76S
1	Hopper Assembly	15574	15577	17	Impeller Shaft Bearing Assy	14312-1	14312-1
1A	Hopper*	14604	14604	18	Drive Wheel & Tire Assy.	14856	14856
2 - 4	Discharge Chute & Shut off Plate Guides *	15144	15144	19	Impeller Shaft	15036	15036
3	Discharge Chute Knob (2)*	14001	14001	20	Pinion Gear w/ Row Pin	14833	14833
5	Shutoff Plate*	13353	13353	21	Axle Gear w/ Row Pin	14832	14832
6	Handle Lever Ass'y	15513	15513	22	Gear Cover w/ clamps	14837	14837
7	Handle Grip (2)	14870	14870	23	Gear Cover Clamps (3)	14868-1	14868-1
8	Upper Handle	15497	15498	24	Gear Support	14834	14834
9	Control Tube	14871	14916	25	Axle Collar w/ Set Scr.	14971	14971
10	Screen Clips (2)	14022	14022	26	Axle	15518	15518
11	Hopper Screen	14603	14603	27	Axle Bearing (4)	14855	14855
12	Handle Brace/Leg	15507	15508	28	Frame Assembly	15501	15502
13	Rate Plate*	15576	15576	29	Impeller w/ Row Pin	14625	14625
14	Rate Control Knob*	12704	12704	30	Free Wheel & Tire Assy	14857	14857
15	Pointer*	12708	12708	31	Agitator	14510	14510
16	Spring Housing Assembly*	12702-2	12702-2	32	Fastener Package	15579	15579
				33	Hopper Cover	14606-1	14606-1
					Hopper Label	15575	15578

*Parts included in hopper assembly

shindaiwa